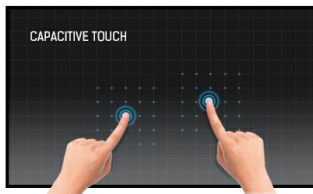




15" 10pt touch Open Frame monitor with Touch Through-Glass function

The ProLite TF1534MC-B7X uses 10 pt Projective Capacitive touch technology built into an eye catching bezel with edge-to-edge glass, which guarantees high durability, scratch-resistance and perfect picture performance. The screen is IP65 rated which means it is dust and water resistant from the front. Together with the Touch-Through-Glass technology which delivers a seamless and accurate touch response, this makes the monitor an ideal solution for kiosk integrators, Instore Retail and behind-glass-retail. For ease of integration, the monitor can be equipped with optional external mounting brackets ([OMK1-1](#)).



Touch technology - Capacitive

This technology uses a sensor-grid of micro-fine wires integrated into the glass that covers the screen. Touch is detected because electrical characteristics of the sensor grid change when human finger is placed on the glass. Thanks to the glass overlay this technology is highly durable, and the touch function remains unaffected even if the glass is scratched. It offers perfect picture performance and will work with human finger (also latex gloved) and stylus-pen.



Touch Through-Glass

This through glass touch screen works right through glass and can turn glass surfaces into an interactive touch screen display. Use it on storefront windows, real estate office, in-store for POS or restaurants.

01 DISPLAY CHARACTERISTICS

Design	Open Frame
Diagonal	15", 38cm
Panel	TN LED
Native resolution	1024 x 768 (0.8 megapixel)
Aspect ratio	4:3
Panel brightness	370 cd/m ²
Brightness	330 cd/m ² with touch
Light transmittance	90%
Static contrast	700:1
Response time (BTB)	8ms
Viewing zone	horizontal/vertical: 170°/160°, right/left: 85°/85°, up/down: 80°/80°
Colour support	16.2mln (6bit + Hi-FRC)
Horizontal Sync	31.4 - 60kHz
Viewable area W x H	304 x 228mm
Pixel pitch	0.297mm
Bezel colour and finish	black, matte

02 TOUCH

Touch technology	projective capacitive
Touch points	10 (HID, only with supported OS)
Touch method	stylus, finger, glove (latex)
Touch interface	USB
Supported operating systems	All iiyama monitors are Plug & Play and compatible with Windows and Linux. For details regarding the supported OS for the touch models, please refer to the driver instruction file available in the downloads section.
Through-Glass	6mm
Palm rejection	yes

03 INTERFACES / CONNECTORS / CONTROLS

Analog signal input	VGA x1
Digital signal input	HDMI x1 DisplayPort x1
HDCP	yes

04 FEATURES

Extra	anti-fingerprint coating, touch through-glass
Glass hardness	7H
Water and dust protection	IP65 (front)
OSD key lock	yes

05 GENERAL

OSD languages	EN, DE, FR, ES, IT, CN, JP
Control buttons	Menu, Scroll up/ Brightness, Scroll down/ Contrast, Select, Power

User controls picture (contrast, brightness, H.position, V.position, phase, clock, auto adjust), advanced (color temp., sharpness), OSD (time out, position, H-position, V-position, Touch switch), option (reset, language, source select, display mode, factory)

Plug&Play DDC2B

06 MECHANICAL

Orientation landscape, portrait, face-up

VESA mounting 100 x 100mm

07 ACCESSORIES INCLUDED

Cables power, USB, HDMI, DP

Guides quick start guide, safety guide

Other AC adapter

Cable cover yes

08 POWER MANAGEMENT

Power supply unit external

Power supply DC DC 12 V

Power usage 9W typical, 1.5W stand by, 0.3W off mode

09 SUSTAINABILITY

Regulations CE, EAC, RoHS support, ErP, WEEE, cULus, REACH

Energy efficiency class (Regulation (EU) 2017/1369) E

REACH SVHC above 0.1%: Lead

10 DIMENSIONS / WEIGHT

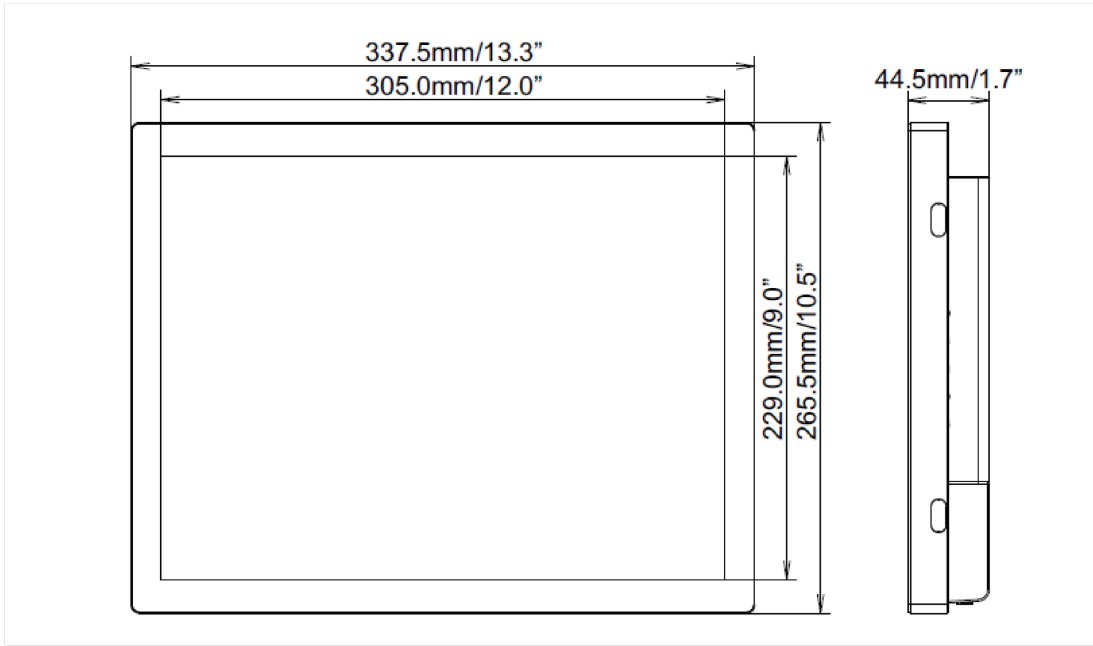
Product dimensions W x H x D 337.5 x 265.5 x 44.5mm

Box dimensions W x H x D 435 x 335 x 165mm

Weight (without box) 2.7kg

Weight (with box) 4kg

EAN code 4948570118380



All trademarks and registered trademarks acknowledged. E & O E. Specification subject to change without notice. All LCD's comply with ISO-9241-307:2008 in connection with pixel defects.

© IYAMA CORPORATION. ALL RIGHTS RESERVED